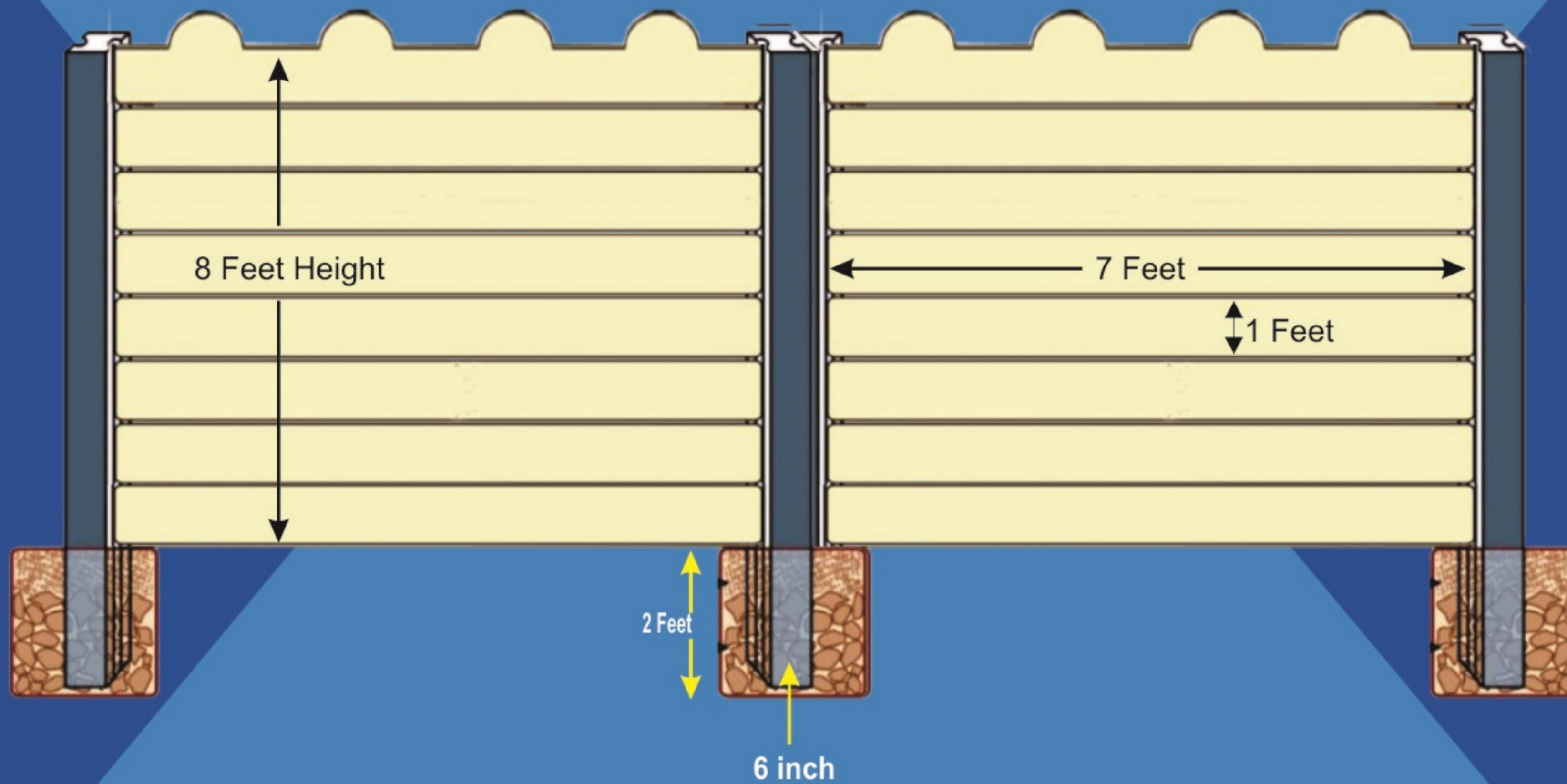








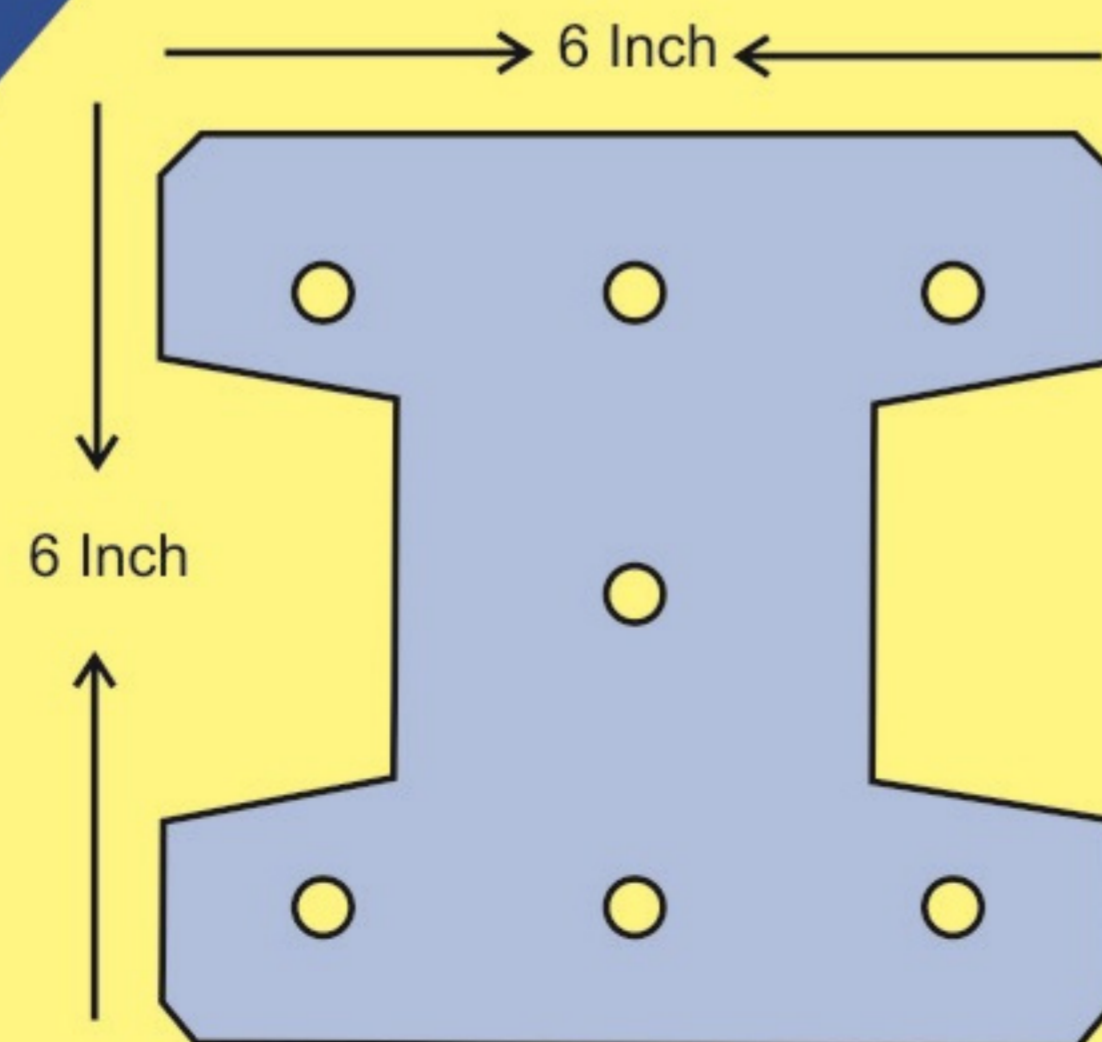
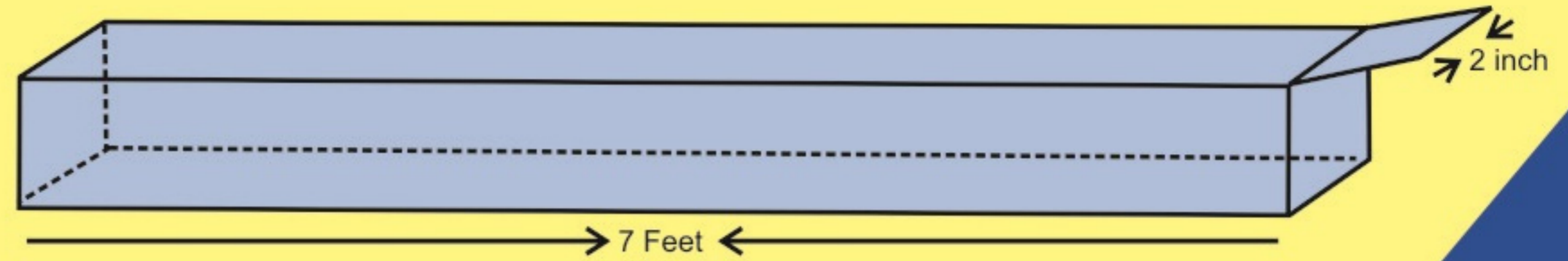
Fitting specification



6 to 12 Feet Available

CEMENT Plank

- length 7 Feet (2100mm)
- Height 1 Feet (300mm)
- Width (45 to 50mm)
- We use PC Steel With 3 mm & 1 Set in 3 Nogs use.



Columns

- Columns 6x6 inch (150 x 150mm)
- 3 mm Still & all Columns in 7 Nogs
- Stressing system with use.
- Customer Demand Your length.

Our Customer

Rotech Fluid Handling Equipment Pvt. Ltd. Baroda.

Maruti Developers - Rajkot.

Raviraj Finance Group - Rajkot.

Sanidhya Group - Hadamtala.

Kadamb's Group - Rajkot.

Om Enterprise - Gondal.

Blue Stone inorganic Pvt.Ltd.- Hadamtala.

Vidhata Construction - Gandhinagar.

Parl Paradise Group - Baroda (ajwa)

Blue Mid Chemical - Ankleswer

Lohiya Construction - Jodhpur (Rajsthan)

Power teck Ind. Metoda.